



Hercules-IOT series Superior Group

★ General ★★ Better ★★★ Unique

System

- ★ True online double conversion Topology
- ★ DSP Control
- ★★ Communication ports: RPO, Dry in, Dry out, intelligent slot, USB, RS232
- ★★★ Site wiring check system

Performance

- ★★ Output THDv <1% linear load
- ★★★ 1.0 Output Power Factor
- ★★★ Over Voltage Cut-Off device (OVCD) Up to 400 V.

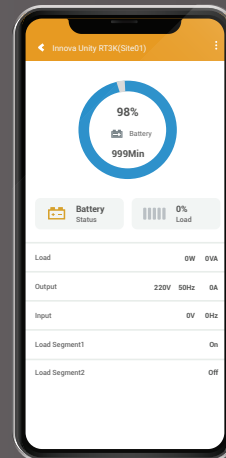
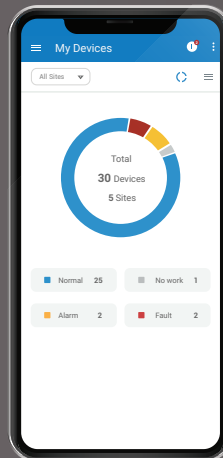
Operation mode

- ★ Normal Mode : Control V./ freq. sync. to line
- ★ ECO Mode : via bypass within Programable range
- ★ Freq. Mode : Control both V. & F.
- ★ Start-able without battery (AC Start)

User Interface

- ★★ High Efficiency ECO Mode
- ★★★ Dot-matrix LCD, it support Multi-Language
- ★★★ IoT: Ethernet(default) and Wireless (Optional)

WinPower View APP



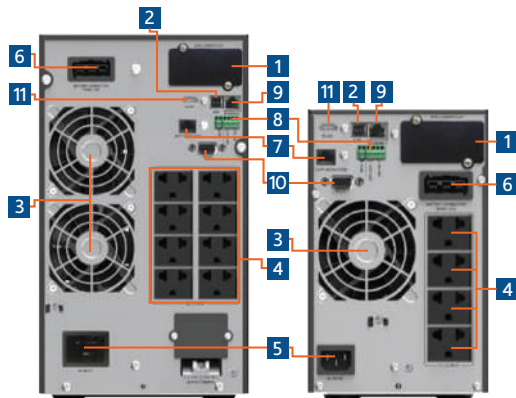
Scan this QR Code to
Download APP



for Android



for IOS

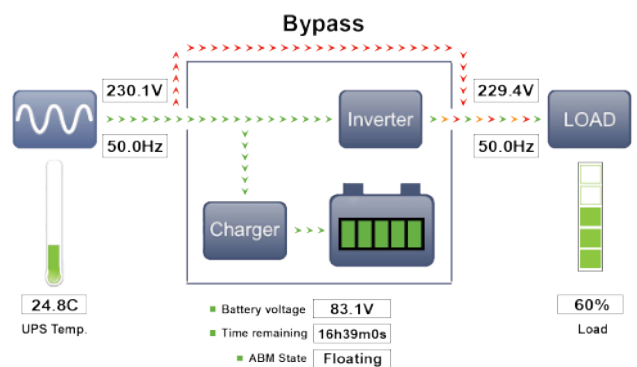


HE-2K-IoT, HE-2K-3K

HE-1K-IoT

1. Intelligent Slot
2. USB
3. Cooling Fan
4. Outlet
5. Input Power
6. Battery Port
7. Batt Detection
8. Dry In ,Dry Out
9. Ethernet
10. RS232
11. WLAN

Power Management Software



มอก. 1291 เล่ม1 - 2553
มอก. 1291 เล่ม2 - 2553
มอก. 1291 เล่ม3 - 2555



Product Information

MODEL		HE-1K-IOT	HE-2K-IOT	HE-3K-IOT
CAPACITY	VA/WATT	1KVA / 1KW (PF1)	2KVA / 2KW (PF1)	3KVA / 3KW (PF1)
INPUT	Voltage Range	160 ~ 300V 100% load, 110 ~ 160V derating to 50% load linearly		
	Frequency Range	50 / 60 Hz		
	Phase	Single phase with ground		
	Power Factor	≥ 0.99		
	Generator Input	1.5 x UPS Rating Power		
OUTPUT	Voltage Range	200 / 208 / 220 / 230 / 240 Vac ± 1% (selectable)		
	Phase	Single phase with ground		
	Frequency Range	50 / 60 Hz		
	Current Crest Ratio	3:1		
	Harmonic Distortion	<1% Linear load; <4% Non-linear load		
	Protection	Short Circuit Protection		
	Output Waveform	Pure Sinewave		
	Outlet	4 Thai Universal	8 Thai Universal + 1 Terminal	
	Overload Capacity	Line Mode	5 min @ 105%~125% ; 30 sec @ >125% ~ 150% ; 500 ms @ > 150%	
	Battery Mode			
EFFICIENCY	AC Mode	91%	93%	
	Battery Mode	>89%	>92%	
	ECO Mode	97%		
BATTERY	Number of Batteries	3	6	
	Battery Capacity (Ah)	12V / (7/9)Ah		
	Backup Time (depend on load)	>15 min		
	Recharge Time (to 90%)	3 Hours		
	Charging Current (Max.)	2A		
	Battery Type	Sealed Lead Acid Maintenance Free		
TRANSFER TIME	AC to DC	Zero		
INDICATOR	LCD	Input / Output information	Voltage / Frequency / Utility Present / Utility Lost	
		Load information	Amp / Watt / VA / Overload / Load level / % Load	
		Battery information	Voltage / Battery Level / % Battery / Remaining Time / Charging Mode	
		Mode information	Operating Mode Icon / Warning / Operating-Fault-Warning Message / Internal Temperature	
		Language	8 languages : English / Italian / French / German / Spanish / Russian / Polish / Simplified Chinese	
	LED	Line Mode(Green) / Battery Mode(Orange) / Bypass Mode(Orange) / Fault Mode(Red)		
ALARM	Battery Mode	Sounding every 4 seconds		
	Low Battery	Sounding every second		
	Overload	Sounding twice every second		
	Fault	Continuously Sounding		
DIMENSION	W x H x D mm	144 x 229 x 345	192 X 318 X 428	
WEIGHT	kg	9.4	22.2	
ENVIRONMENT	Operating Environment	0-45° C		
	Relative Humidity	0-95% (NON-CONDENSING)		
COMMUNICATION	Noise Level	<45dB @ 1 Meter	<50dB @ 1 Meter	
	USB	Software supports Windows Family, Linux, Sun Solaris, IBM AIX, Compaq True64, SGI IRIX, FressBSD, HP-UX and MAC		
	Dry Contact	RPO ,Dry in ,Dry out		
	IoT & Modbus TCP	Built-in ethernet port with Winpower View mobile app		
	Smart Slot (Option)	SNMP Adapter/ AS400 Relay Card / RS485		
INTERNATIONAL STANDARDS	Product standard	TIS 1291 Part 1-2553 , TIS 1291 Part 2-2553 , TIS 1291 Part 3-2555 Class C1		
	QMS	Certified Quality Management System ISO9001		
	EMS	Certified Environmental Management System ISO14001		



มอก. 1291 เล่ม1 - 2553
มอก. 1291 เล่ม2 - 2553
มอก. 1291 เล่ม3 - 2555



Syndome Electronics Industry Co.,Ltd.
66 ซอยประชาอุทิศ 59 แขวง 3 เขตปทุมธานี กรุงเทพมหานคร 10140
Tel: (662)8726900 (auto) Fax: (662)8726909
URL: <http://www.syndome.com> Email: public@syndome.com
Line: @syndome Facebook: www.facebook.com/official.syndome