



LS-N3525E



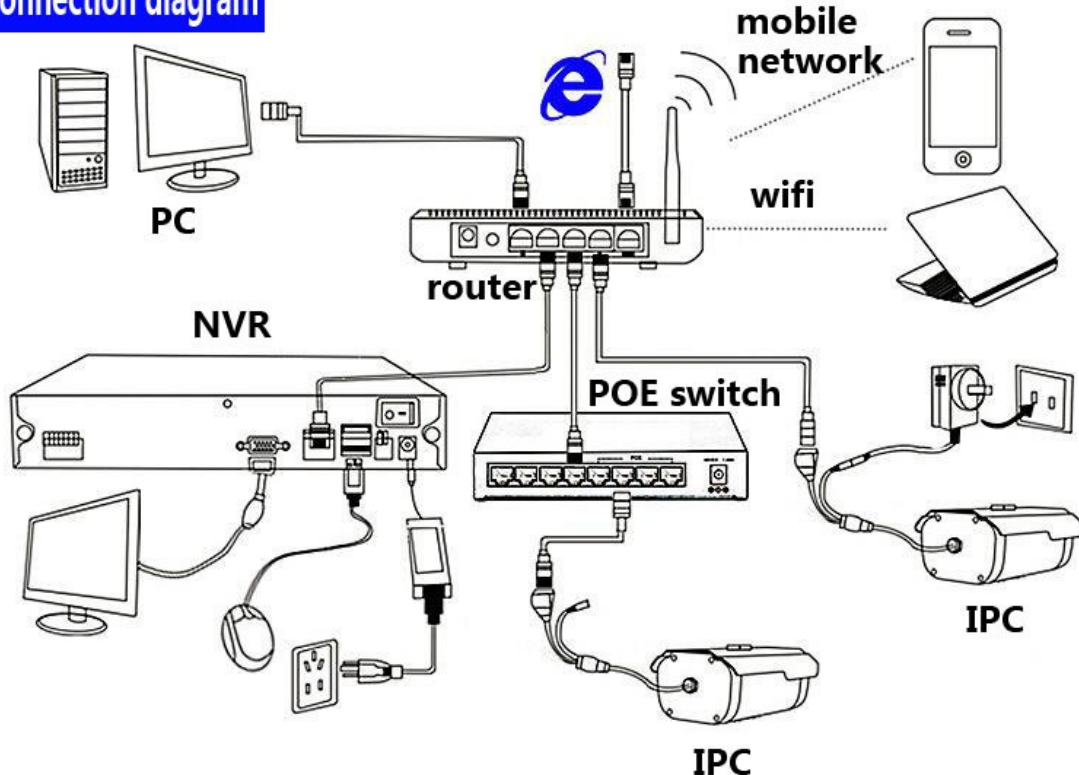
ONVIF 2.3 H.264 Digital Video Recorder

USB Mouse Control with GUI Display

FEATURES

- ✓ IP Camera Input: 25CH (2592x1944, 2048x1536, 1920x1080, 1280x960, 1280x720, etc.)
- ✓ Video Output: 1CH VGA Output, 1CH HDMI Output
- ✓ Compression Method: H.264
- ✓ Recording Resolution: 25CHx1080P/25CHx960P/25CHx720P, etc. (All Real Time)
- ✓ Preview Resolution: 25CHxD1/16CHxD1/9CHxD1/4CHxD1/1CHx1080P
- ✓ Playback Resolution: 4CHx1080P
- ✓ Hexaplex Operation Simultaneously: Preview, Recording, Playback, Live, Backup
- ✓ 1 RJ-45 Ethernet Connector, Static IP, P2P, Support IE and Special CMS
- ✓ 2 SATA Hard Disk interface (Up to 8TB)
- ✓ Backup: 2xUSB2.0
- ✓ Support Remote View by Smart Phone
- ✓ Dimensions (LxWxH): 405*325*65(mm) Weight: 6kg

Connection diagram



SPECIFICATIONS

Model		LS-N3525E
System	Main processor	ARM Cortex A9 Processor
	Operating system	Embedded LINUX
Video	Input	25CH (2592x1944, 2048x1536, 1920x1080, 1280x960, 1280x720, etc)
	Output	1 VGA, 1 HDMI
Alarm	Sensor Input	NO
	Output	NO
	Motion Detection	25 Channel
	Email Alarm	Support
Display	VGA	Resolution: 800X600, 1024X768, 1280X720, 1280X1024, 1920X1080
	HDMI	Resolution: 1080P(1920x1080) 720P:(1280x720)
	Display Split	25CHxD1/16CHxD1/9CHxD1/4CHxD1/1CHx1080P/1CHx3MP/1CHx4MP/1CHx5MP
	Digital Zoom	yes
	OSD	Camera title, Time, Video loss, Recording, Motion Detection
Recording	Video Compression	H.264
	Resolution	5MP(2592x1944),4MP(2688x1520),3MP(2048x1536),1080P(1920x1080) / 960P(1280x960) / 720P(1280x720) / D1 (704x576/704x480)
	Record Rate	PAL :5MP@600fps,4MP@600fps,3MP@600fps,1080P@600fps, 960P@600fps,720P@600fps, D1@600fps NTSC: 5MP@720fp,4MP@720fp,3MP@720fp,1080P@720fps, 960P@720fps 720P@720fps, D1@720fps
	Record Mode	Manual\Timer\Motion Detection
Playback and Backup	Local Sync Playback	4chx1080P/1chx4MP/1chx5MP
	Remote Sync Playback	YES
	Search Mode	ALL, Channel, Manual, Time, Date, Motion Detection
	Playback Functions	Play, Pause, Stop, Rewind, Fast Play, Slow Play, Digital Zoom
	Backup Mode	USB Device/Network
Network	Interface	1 RJ45 10M/100M Adaptive Ethernet Interface
	Network Functions	HTTP, IPv4, TCP/IP, DNS,DHCP,NTP,DDNS
	Onvif Version	Support Onvif 2.4
	Web Browser	IE6-11
	CMS Software	Support Windows XP / Windows Vista / Windows 7/ Windows 8
	Cloud Support(P2P)	Yes
	Smart Phone	iPhone, iPad, Android, Android PAD
Hard disk Driver	Interface Type	2 SATA Interface
	Capacity	Up to 8TB capacity
General	Language	Chinese, English, Polish, Czech, Russian, Thai, Hebrew, Arabic, Bulgarian, Farisa German, French, Portuguese, Turkic, Spanish, Italian, Hungarian, Romanian, Korean
	USB Interface	2 USB 2.0 Interfaces
	Power Supply	DC12V/5A
	Working Environment	-10~55 degree /10~90%
	Dimension(WxDxH)	405*325*65mm
	Weight	6KG (without HDD)