



NVR-3808W-S



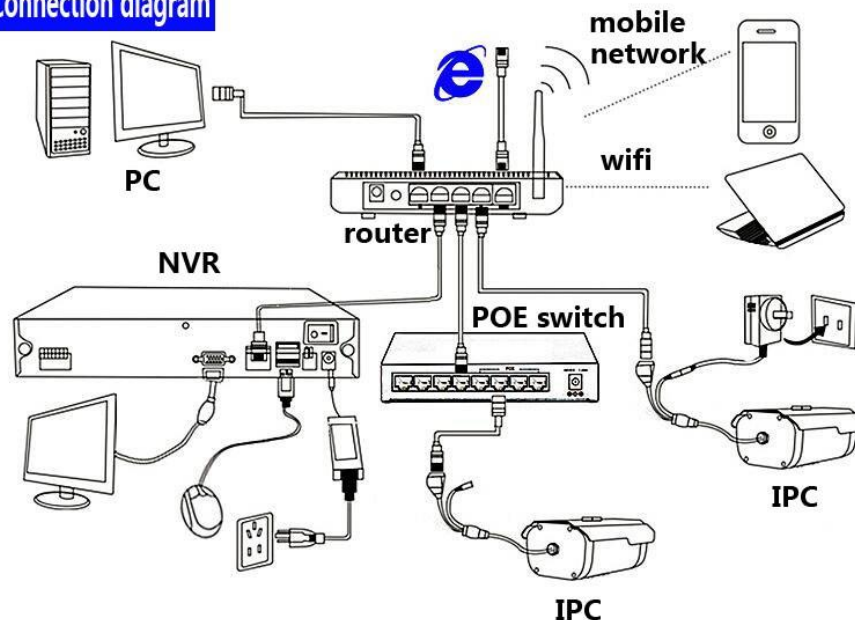
ONVIF 2.3 H.264 Digital Video Recorder

USB Mouse Control with GUI Display

FEATURES

- ✓ Remote control easily & conveniently without any complicated setting
- ✓ Compression algorithm upgraded to H. 264 High Profile, more advanced video compression technique makes the code stream lowered at least 30%.
- ✓ Support main stream and extra stream encode synchronously. Main stream is for local storage, extra stream is for network real-time transmission, to easily solve the bottleneck problem of bandwidth.
- ✓ Support all kinds of mobile monitor (iPhone, Andriod).
- ✓ Supporting HDMI / VGA / TV simultaneous video output
- ✓ Similarly WINDOWS operating interface design, powerful right-click menus, to let you experience easily and conveniently.
- ✓ Powerful net service(support DHCP/ADSL, PPPOE, DDNS, NTP, UDP, TCP/IP, etc), complete enclosure(WEB, CMS), to easily achieve interconnection.
- ✓ For web browsers, compatible with 32-bit Internet Explorer, 360, and Sogou, Google, Mozilla Firefox, etc. Supporting DDNS Service: DynDNS, NO-IP, Myq-See, Oray, 3322, and so on.
- ✓ Support alarm triggered recording will send alerts matter to the designated email. Support pre-alarm recording (before 10 sec), not lose any suspicious screen.
- ✓ Channel switching is independent from the local site, allowing users to have private image monitoring remotely.
- ✓ Allows live display, record, playback, backup, network and mobile surveillance at the same time. Two USB2.0, supporting USB mouse, backup, record, and upgrade, etc.
- ✓ 14 kinds of language to break the national boundaries
- ✓ System auto recovery after power failure

Connection diagram



SPECIFICATIONS

Model	Model	8 Channel H.264 NVR
		NVR-3808W-S
System	Main processor	Industrial grade embedded micro controller chip Huawei Hisilicon chipset Hi3531
	Operating system	Embedded LINUX operating system
	System resource	Multi-channel real-time recording synchronously, multi-channel real-time playback, multi-channel multi-user network operation, USB back up.
Display	Operation interface	16 bit real color GUI interface support mouse operation
	Multilingual Language	YES, supporting 14 kinds of languages
	Display screen	1/4/8/9 Screen
Video	Image encode	H.264(Main Profile)
	Monitor quality	Monitor:D1; VGA&HDMI(1920*1080;1280*1024;1280*720;1024*768)
	Playback quality	960P/720P
	Encode capability	8ch1080P/8ch 960P/8 ch720P
	Decode capability	5ch 1080P/9ch 960P/9ch 720P@25fps
Audio	Audio compression	G.711A
Record and playback	Record mode	Manual, alarm, motion detection, timing
	Snapshot	YES
	Local playback	9ch 960P/9ch 720P@25fps
	Video search	Time, date, event, channel search
Storage and back up	Space Usage	Vide0 720P:10G~42G/day*channel,1080P:20G~80G/day*channel,audio 691.2M/day*channel
	Video storage	Local Hard Disk, Network
	Back up mode	Network backup, USB portable HDD, USB (FAT32 form)
Interface	Video input	HT-3704P-S
	Video output	1ch BNC(1.0Vp-p,75Ω), 1ch VGA , 1ch HDMI
	Audio input	HT-3704P-S
	Audio output	1ch RCA (200-3000mV,5KΩ)
	Alarm input	16ch
	Alarm output	4ch
	Network port	1*RJ45 10/100 Base-T self-adaptive Ethernet port
	PTZ control	1*RS485 port, Support more than 5 kinds protocols.
	USB port	2* USB 2.0 port
HDD port	Accommodates 4 SATA HDDs (1 HDD capacity up to 2TB)	

User	User level	Admin
	User right	Users can set different permissions (How to use please refer to the manual book)
	Password protection	YES
Remote	Remote Independent Operation	YES
	Download records	YES
	Remote Event Trigger Recording	YES
	CMS	CMS Software for multiple DVR (up to 255 DVR simultaneously)
	Browser	Internetie32-bit\360\Sogou,Google, Mozilla Firefox
	Live Audio	YES
	On-line user	Max.10
	Mobile Surveillance	YES (Supporting iPad, iPhone,Android;iPad, iPhone, Andriod remote playback function)
	Network Protocol	DHCP/ADSL\PPPOE\SMTP\TCP / IP\DDNS\Wireless dial\WIFI\IP2P
Alarm	Motion detection	FTP/YES
	Event Notification	E-Mail
	Pre-alarm Recording	YES
	Video loss	Video loss notification
Other	IR remote controller	Remotely control DVR and PTZ cameras via IR transmitter (IR receiver built-in)
	Remote control	YES
	Cooling fan	YES
	Tour	YES
	Power Source ($\pm 10\%$)	DC 12V /6A
	Power Consumption ($\pm 10\%$)	<18W(without HDD)
	Operating Temperature	0~ +55
	Dimensions (mm) **	440mm(L)* 445mm(W)* 90mm(H)
	System Recovery	System auto recovery after power failure